

NOTE : ALL RESISTORS ARE 0.6 WATT EXCEPT WHERE NOTED.
 ▲ 3p3 ON S/N K6416 & ABOVE.

No		REVISIONS	MODEL	53 COLLEGE ST GLADESVILLE 2111	
1	3/6/92	BY	AM1600	DRAWN BY K.M.C.P.	
2		S.M.	REFERENCE	DATE 16/6/92	
3			CHANNEL A.	SCALE	
4			OUTPUT STAGE	NIL	

P CH. MOSFET BOARD

N CH. MOSFET BOARD

OUTPUT SUPPLY +98V

TO STATUS CCT. & REF.

OUTPUT SUPPLY +98V

TO Y.U.

TO SPEAKER +

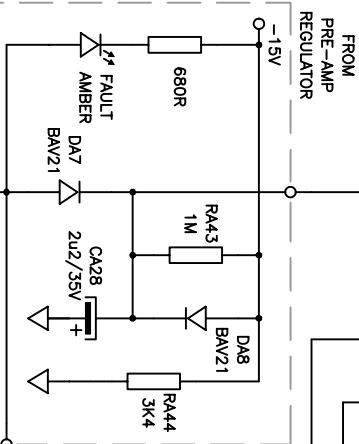
RETURN -

FRONT PANEL BOARD

DRIVER SUPPLY -111V

DRIVER SUPPLY +109V

DRIVER SUPPLY -80V



FROM PRE-AMP REGULATOR

INPUT FROM PRE-AMP BUFFER

SIGNAL GROUND
POWER GROUND

0.1uF/250V

CA26

2S156

2S156

2S156

2S156

2S156

2S156

2S156

2S156

2S156

2S156

2S156

2S156

2S156

2S156

2S156

2S156

2S156

2S156

2S156

2S156

2S156

2S156

2S156

2S156

2S156

2S156

2S156

2S156