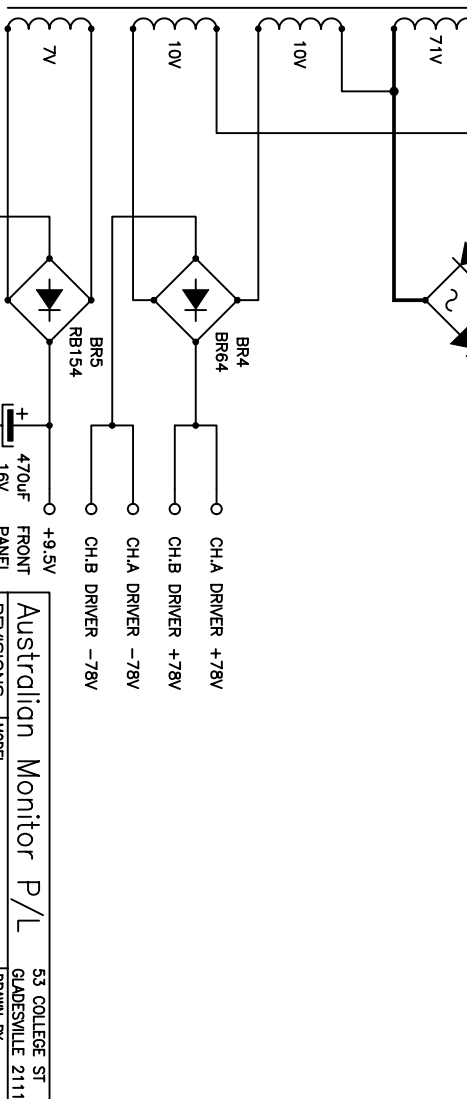
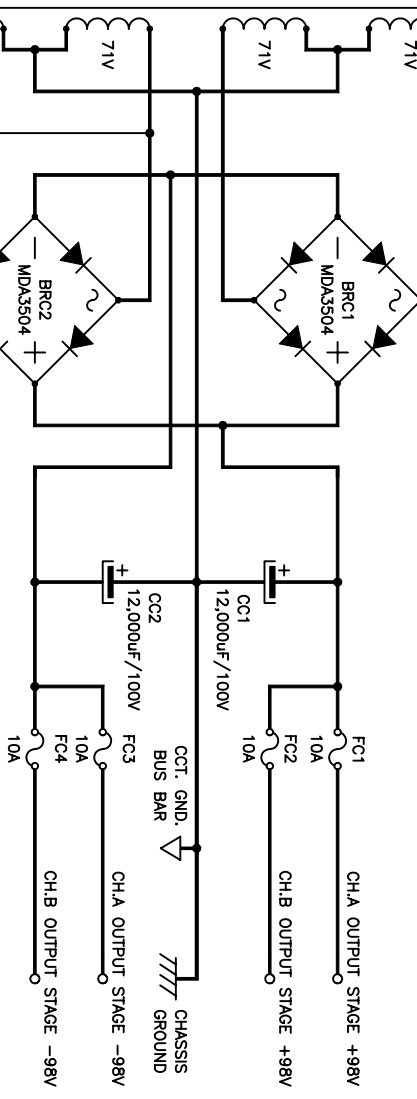
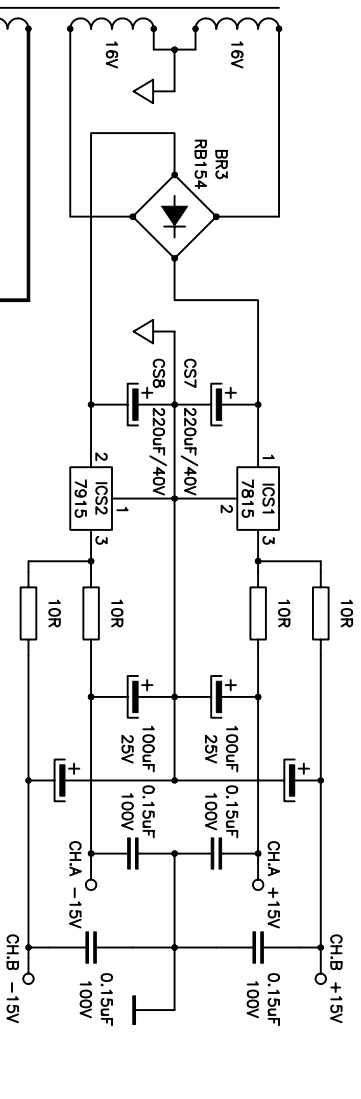
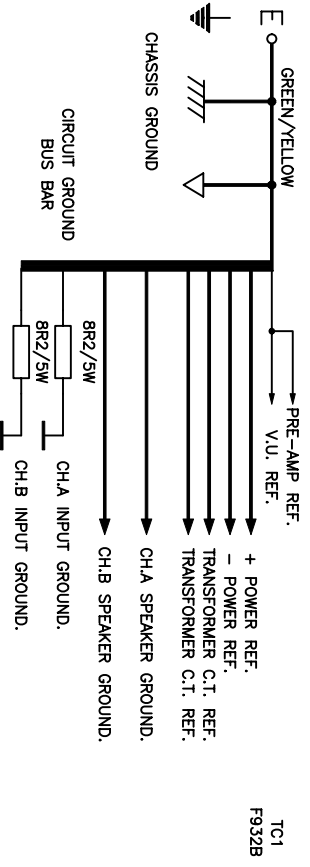
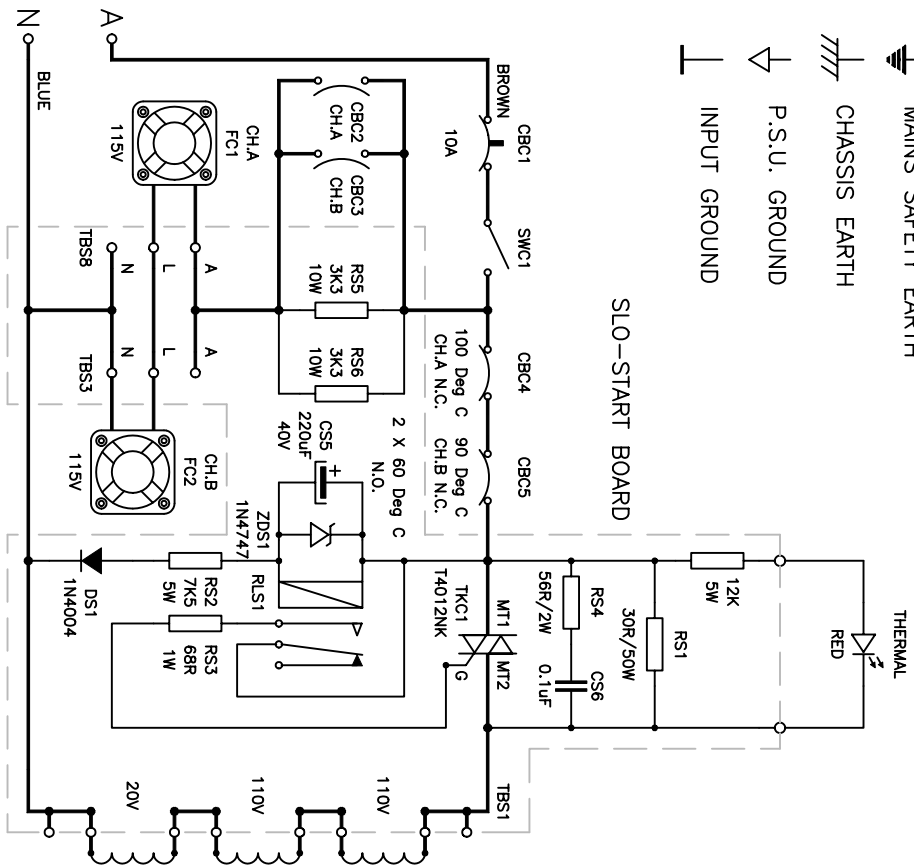


NOTE: ALL RESISTORS ARE 0.6 WATT EXCEPT WHERE NOTED.

- MAINS SAFETY EARTH
- CHASSIS EARTH
- P.S.U. GROUND
- INPUT GROUND



Revisions				Model			
No.	Date	By	Reference	Description			
1			POWER SUPPLY	240 VOLT A.C.			
2							
3							
4							

Australian Monitor P/L			53 COLLEGE ST		
GLADSVILLE 2111			DRAWN BY		
K.M.C.P.			DATE		
6/7/92			SCALE		
NIL					