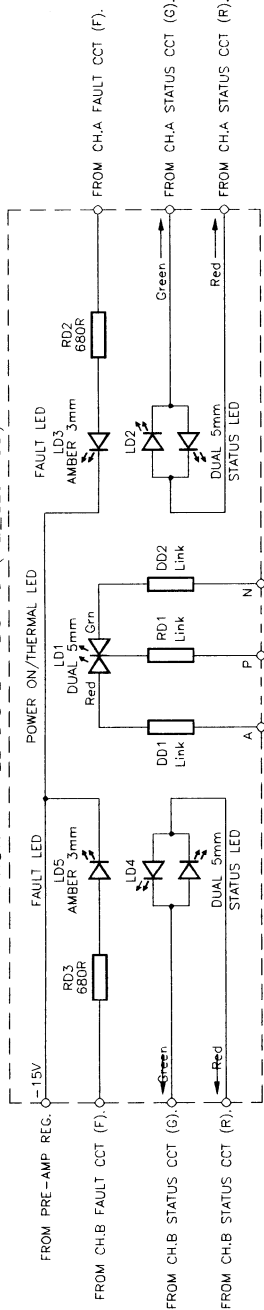
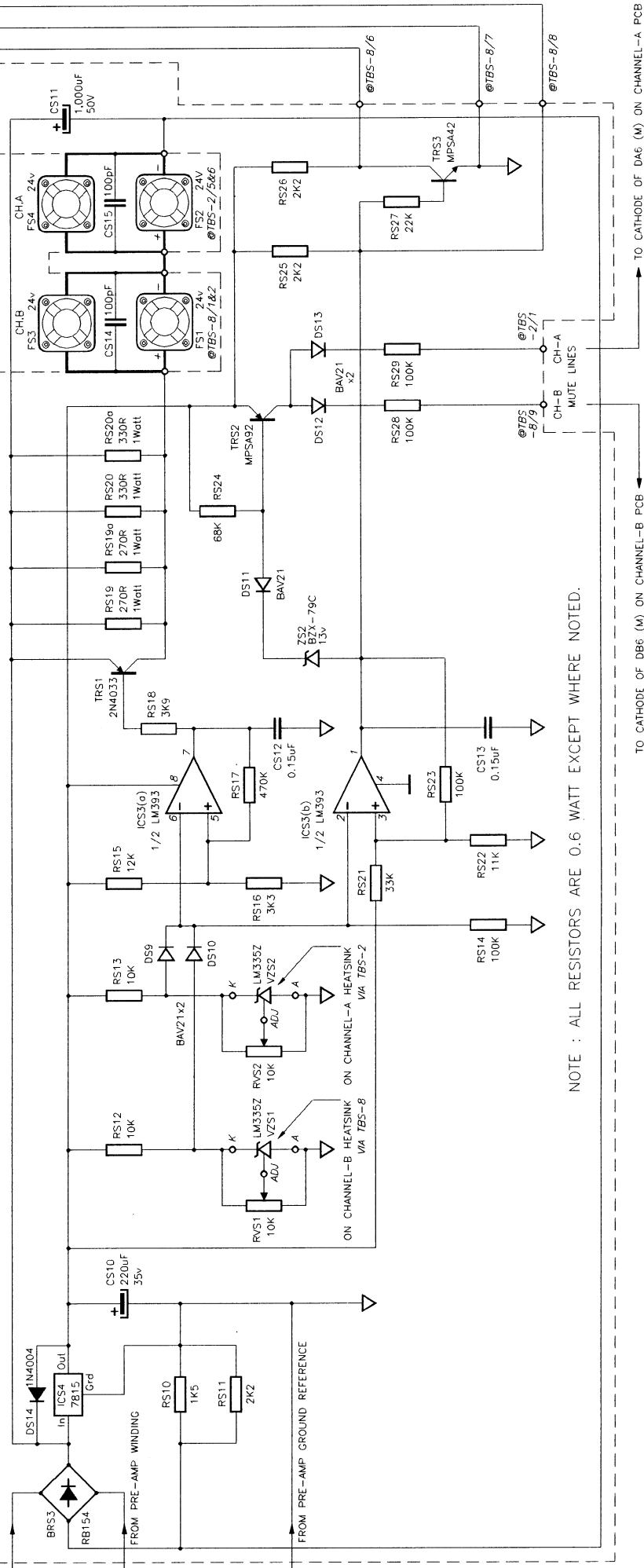


FRONT PANEL DISPLAY BOARD (12\_LED.PCB)



THERMAL DETECT AND FAN SPEED CONTROL ON SLOW SMART BOARD (15\_SLST.PCB)



NOTE : ALL RESISTORS ARE 0.6 WATT EXCEPT WHERE NOTED.

TO CATHODE OF DB6 (M) ON CHANNEL-B PCB

TO CATHODE OF DA6 (M) ON CHANNEL-A PCB

ES: THIS CIRCUIT SHOWS FAN SPEED AND THERMAL DETECTION. THE CIRCUITRY IS SHARED ON THE SLOW START UNITS CIRCUIT BOARD (15\_SLST.PCB)

REV	ECO	REVISION NOTE	DRN	APP	DATE
A		ORIGINAL			5/5/99
B					
C					
D					
E					
F					
G					



Australian Monitor

by AUDIO TELEX COMMUNICATIONS P/L  
 149 BEACONSFIELD STREET  
 SILVERWATER NSW 2128  
 Phone: 61-(0)2-9647-1411  
 Fax: 61-(0)2-9748-2537

PRODUCT ASPECT SHOWING  
 PA-1500 FAN SPEED CONTROL CIRCUIT AND VALUES

DRAWING/CAD REFERENCE  
**15\_FSP**

REV A

DATE 3-5-99  
 SHEET 6 OF 7