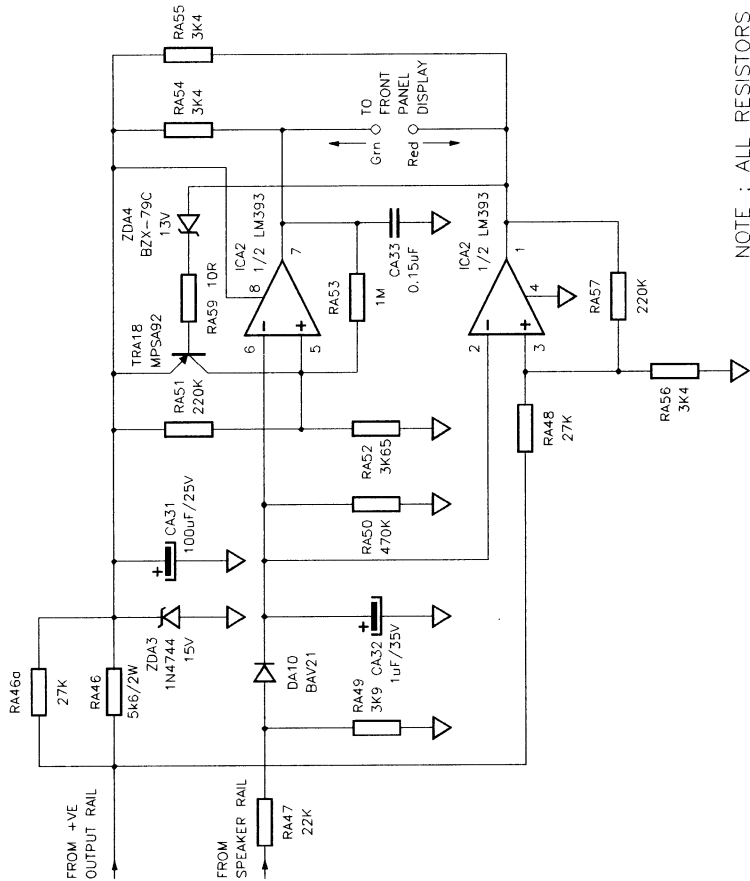


CH.B STATUS CIRCUIT

NOTE : ALL RESISTORS ARE 0.6 WATT EXCEPT WHERE NOTED.



CH.A STATUS CIRCUIT

15_STA DRAWING/CAD REFERENCE		REV A SHEET 4 OF 7	
PRODUCT ASPECT SHOWING			
STATUS CIRCUIT CIRCUIT AND VALUES			
PA1500			
AUDIO TELEX COMMUNICATION P/L 149 BEACONSFIELD STREET SILVERWATER NSW 2128 Phone: 61-(0)2-9647-1411 Fax: 61-(0)2-9748-2537		DATE 21/4/99	
Australian Monitor		REVISION NOTE ORIGINAL	
REV ECD A B C D E F G	DRN APP SWCL	DATE 21/4/99	THIS DRAWING AND THE INFORMATION IT CONTAINS AND IMPLIES IS THE SOLE PROPERTY OF AUSTRALIAN MONITOR P/L AND CANNOT BE REPRODUCED IN ANY FORM WITHOUT PRIOR APPROVAL © 1999