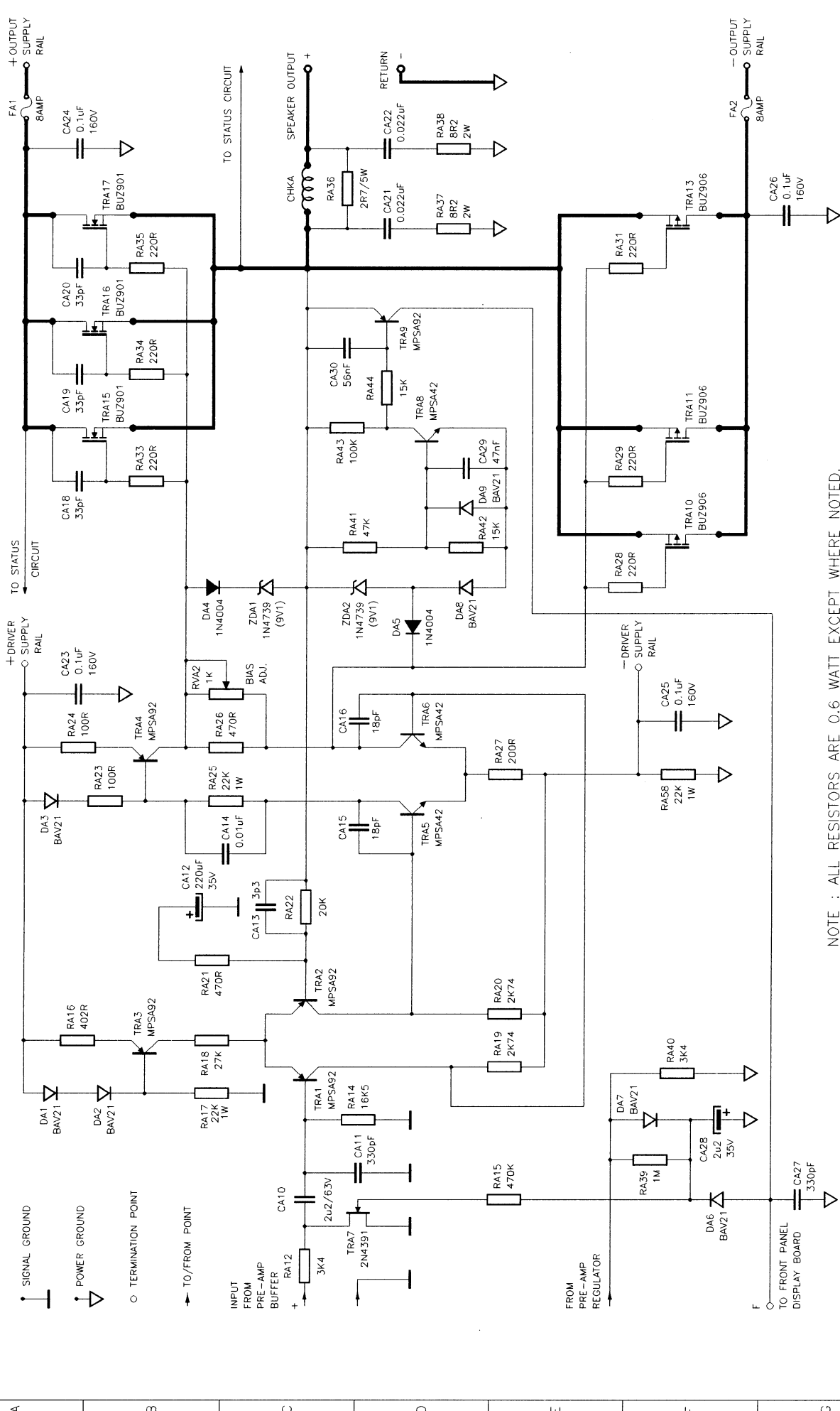


1 2 3 4 5 6 7 8 9 10



NOTE : ALL RESISTORS ARE 0.6 WATT EXCEPT WHERE NOTED.

**Australian Monitor**  
 by AUDIO TELEX COMMUNICATIONS P/L  
 149 BEACONSFIELD STREET  
 SILVERWATER NSW 2128  
 Phone (61-2) 9647-1411

PRODUCT ASPECT: PA-8 CH-A MAIN-AMP STAGE  
 DRAWING/CAD REFERENCE: 8A\_MAS  
 REV: 17-11-97  
 DATE: 17-11-97  
 SHEET 2 OF 7

REV	ECD	REVISION	NOTE	DRN	APP	DATE
A		ORIGINAL				17/11/97
B						
C						
D						
E						
F						
G						

THIS DRAWING AND THE INFORMATION IT CONTAINS AND IMPLIES IS THE SOLE PROPERTY OF AUSTRALIAN MONITOR P/L AND CANNOT BE REPRODUCED IN ANY FORM WITHOUT PRIOR APPROVAL © 1997