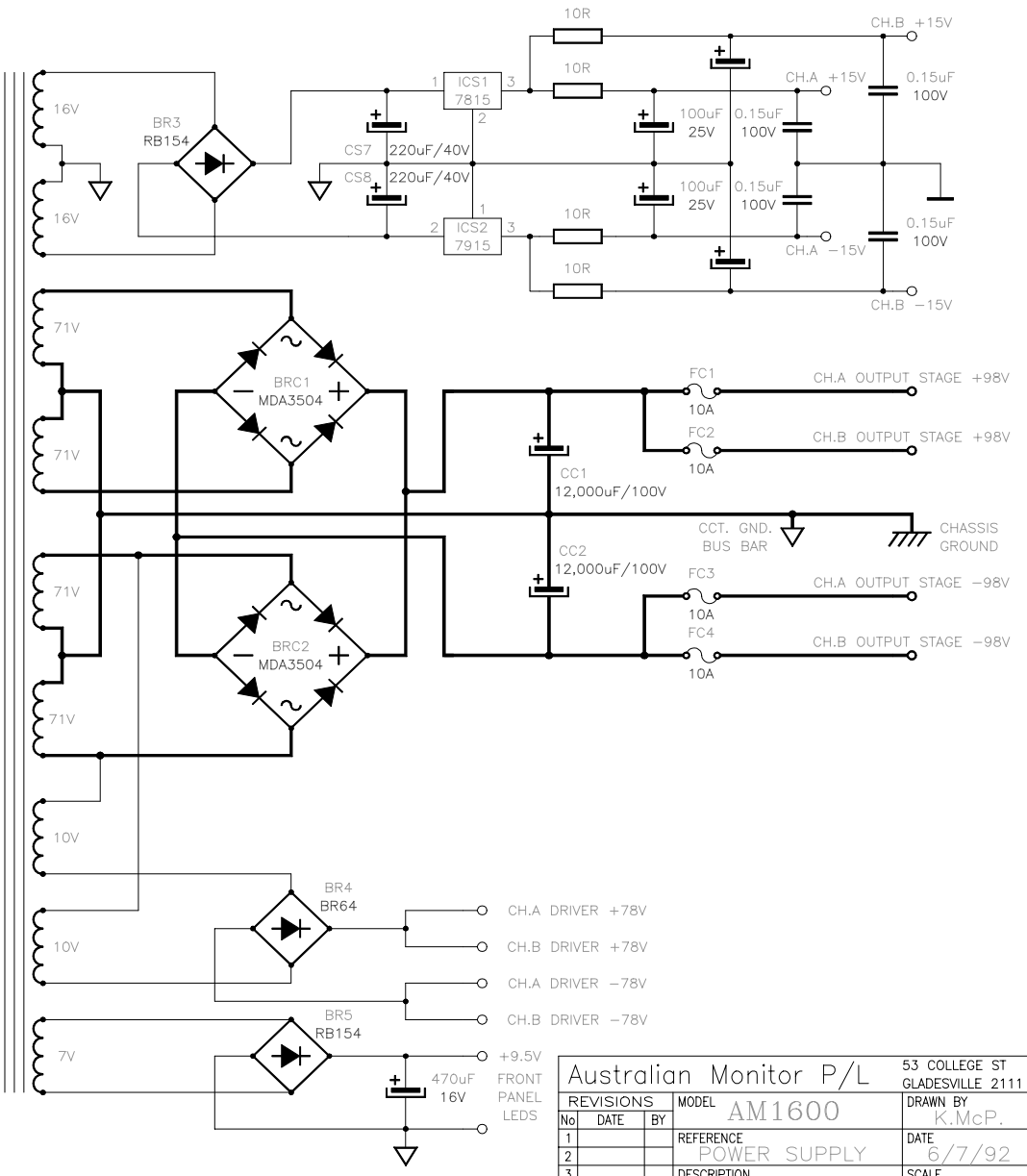
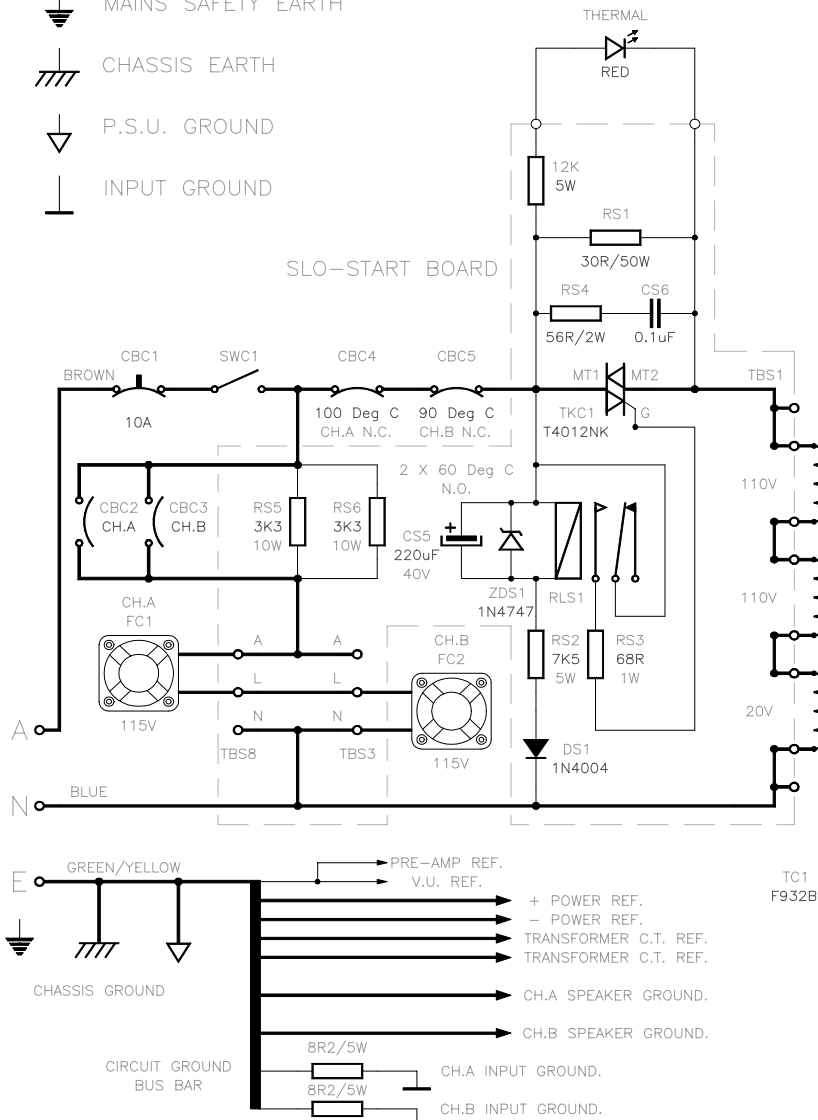


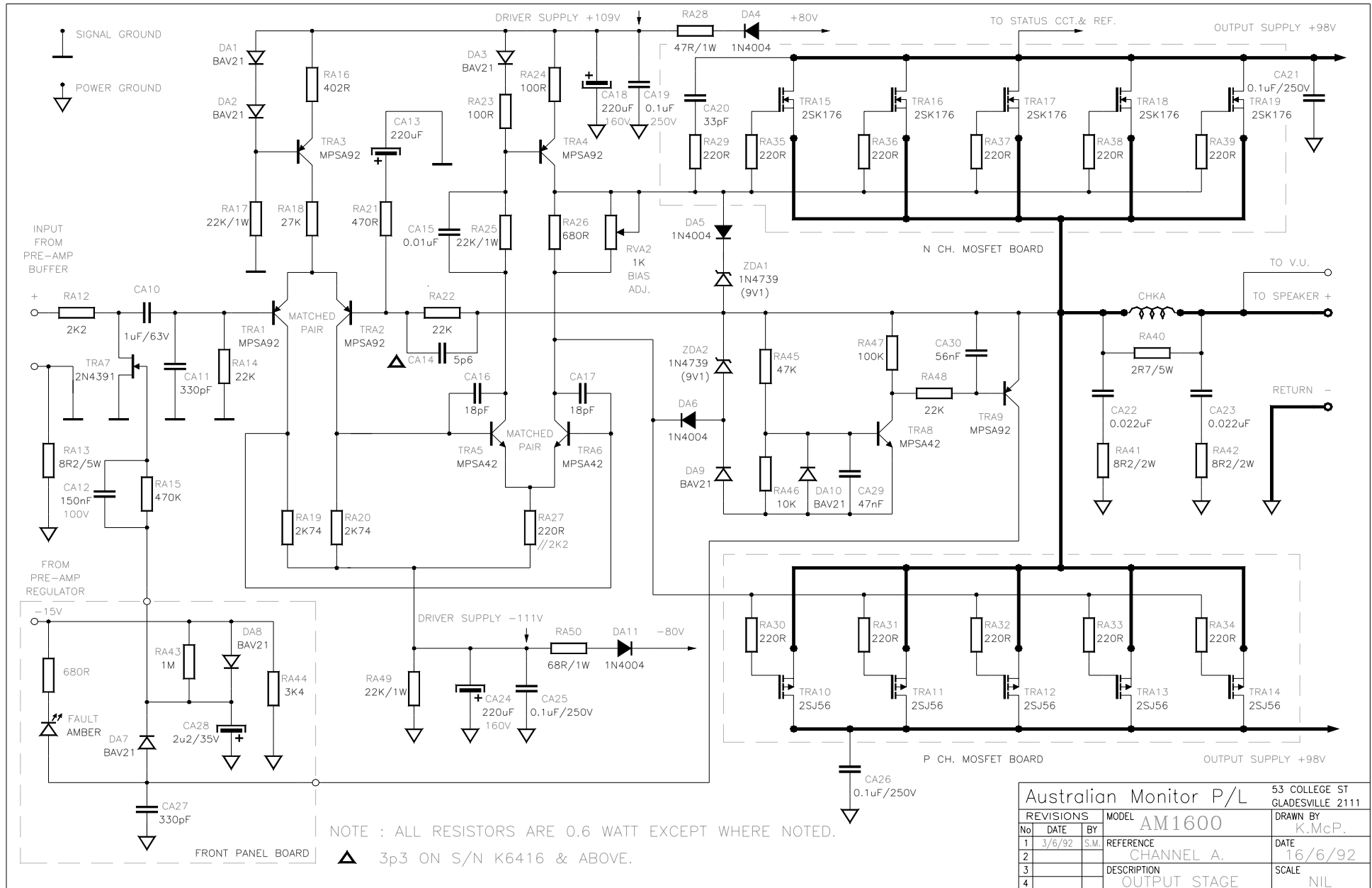
NOTE: ALL RESISTORS ARE 0.6 WATT EXCEPT WHERE NOTED.



SLO-START BOARD



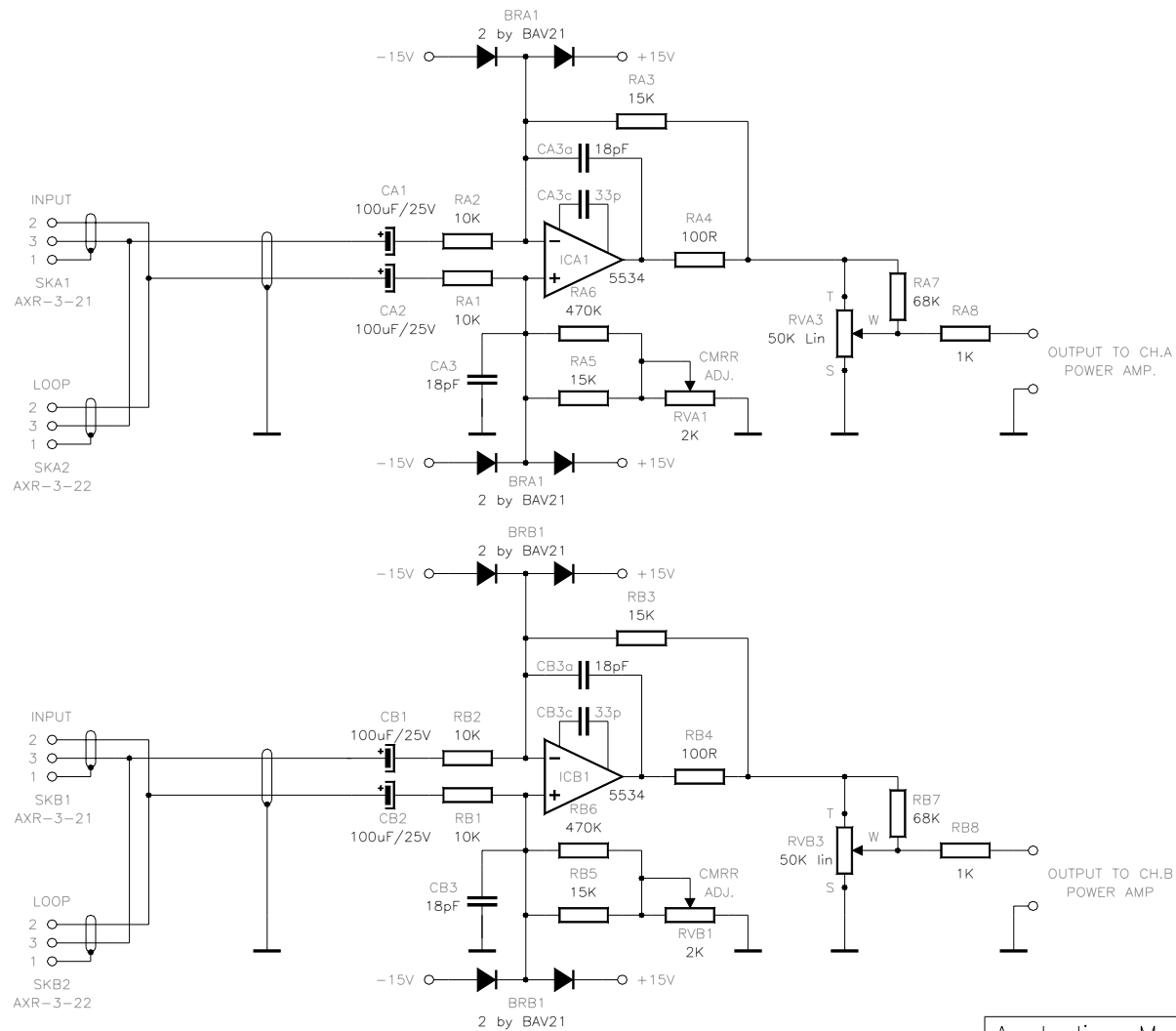
Australian Monitor P/L			53 COLLEGE ST GLADESVILLE 2111
REVISIONS		MODEL	DRAWN BY
No	DATE	AM1600	K.McP.
1		REFERENCE	DATE
2		POWER SUPPLY	6/7/92
3		DESCRIPTION	SCALE
4		240 VOLT A.C.	NIL



NOTE : ALL RESISTORS ARE 0.6 WATT EXCEPT WHERE NOTED.

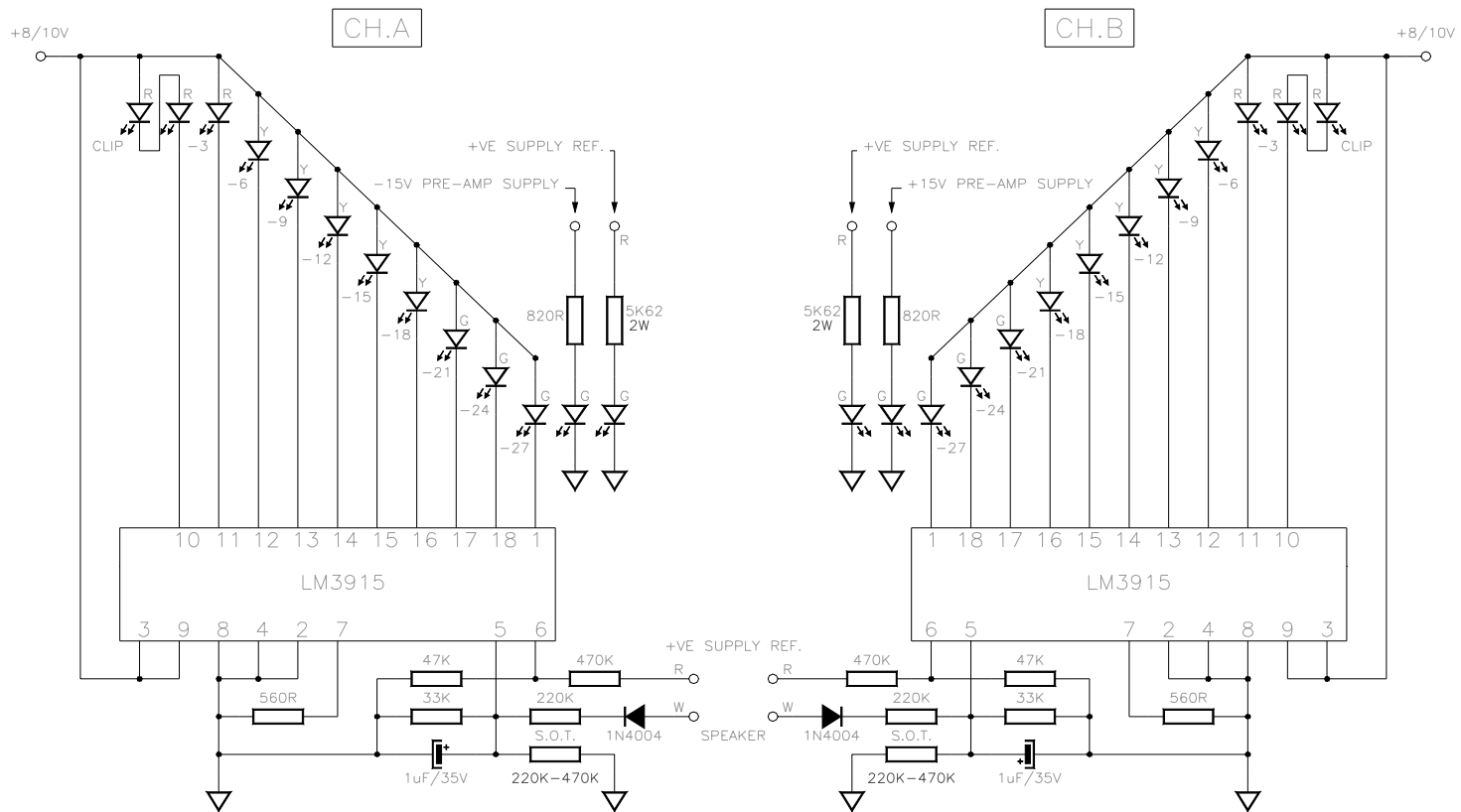
▲ 3p3 ON S/N K6416 & ABOVE.

Australian Monitor P/L			53 COLLEGE ST GLADESVILLE 2111	
REVISIONS		MODEL	DRAWN BY	
No	DATE	BY	AM1600	K.McP.
1	3/6/92	S.M.	REFERENCE	DATE
2			CHANNEL A.	16/6/92
3			DESCRIPTION	SCALE
4			OUTPUT STAGE	NIL



NOTE: ALL RESISTORS ARE 0.6 WATT EXCEPT WHERE NOTED.

Australian Monitor P/L			53 COLLEGE ST GLADESVILLE 2111	
REVISIONS		MODEL	DRAWN BY	
No	DATE	BY	AM1600	K.McP.
1			REFERENCE	DATE
2			PRE-AMPS	2/7/92
3			DESCRIPTION	SCALE
4			CH.A & B	NIL



NOTE: ALL RESISTORS ARE 0.6 WATT EXCEPT WHERE NOTED.

Australian Monitor P/L			53 COLLEGE ST GLADESVILLE 2111
REVISIONS	MODEL	DRAWN BY	
No	DATE	BY	K.McP.
1		REFERENCE	DATE
2		V.U. DISPLAY	2/7/92
3		DESCRIPTION	SCALE
4		CH.A & B	NIL