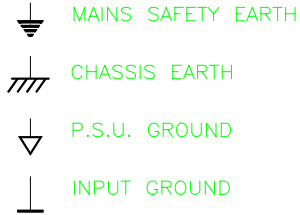
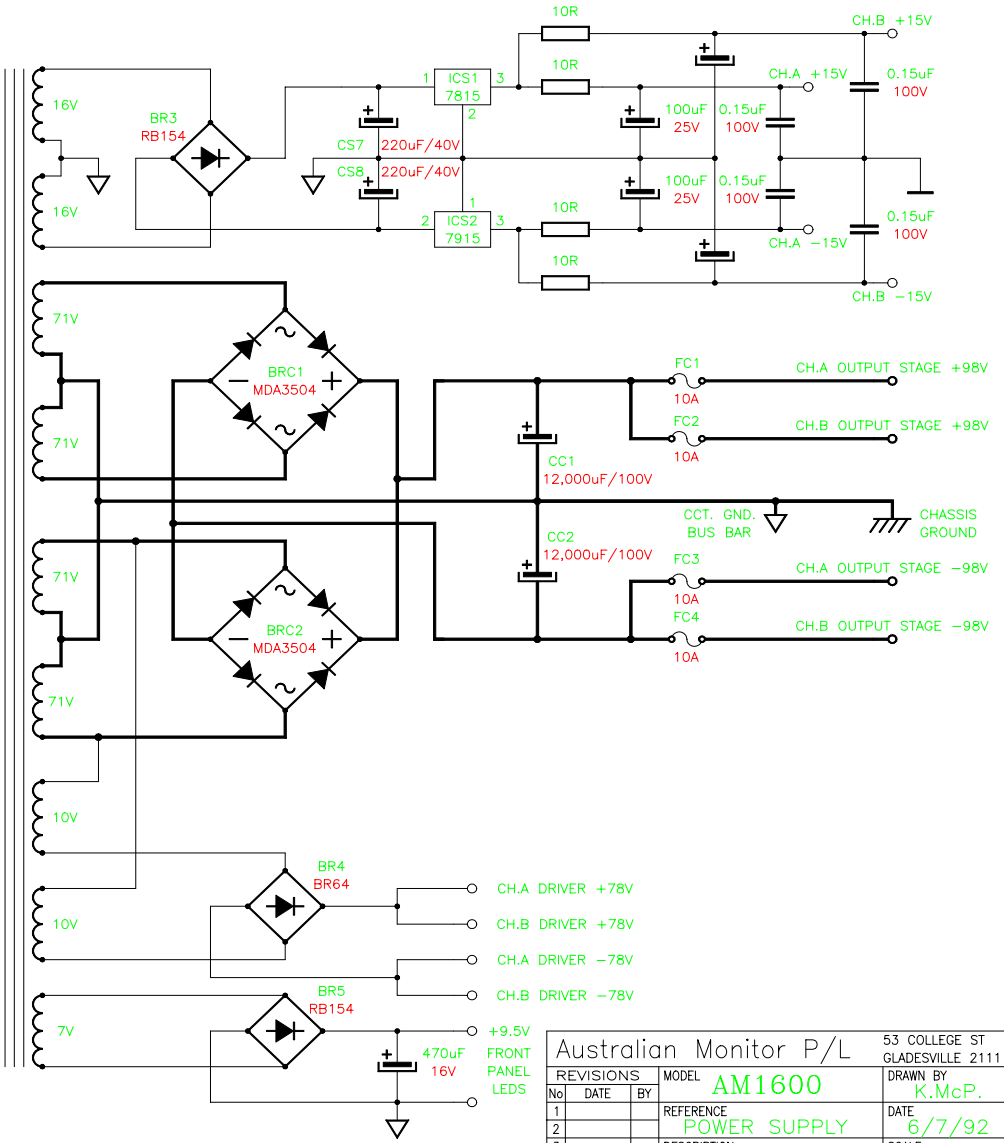
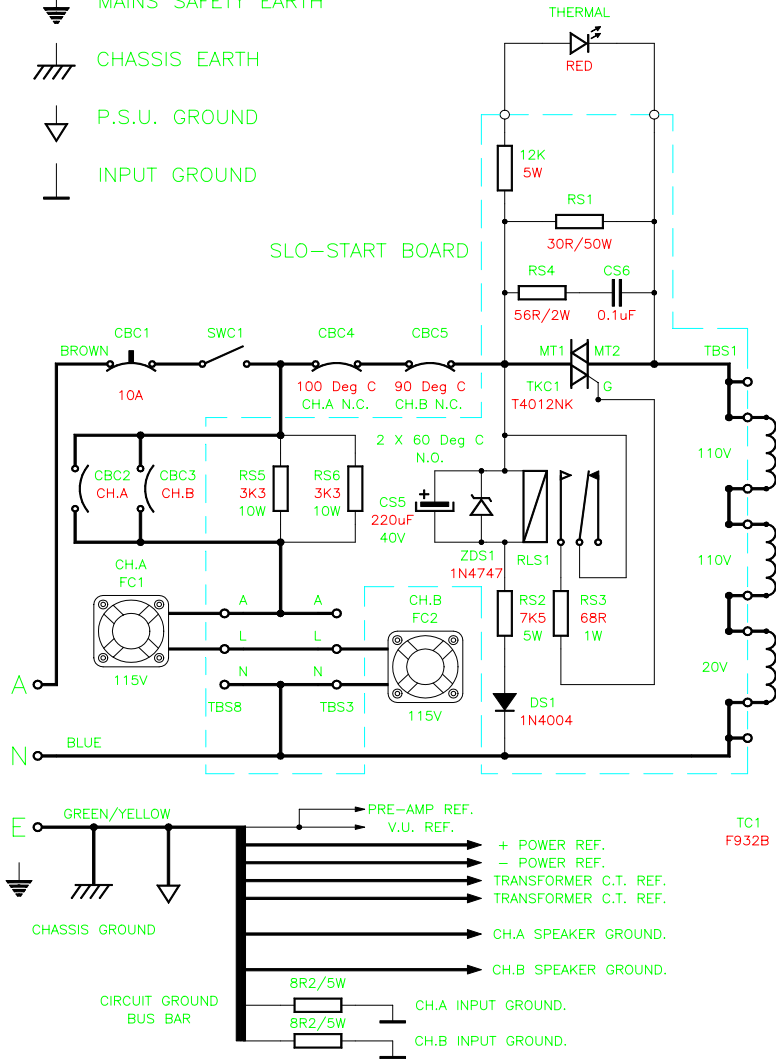


NOTE: ALL RESISTORS ARE 0.6 WATT EXCEPT WHERE NOTED.



SLO-START BOARD



Australian Monitor P/L			53 COLLEGE ST GLADESVILLE 2111	
REVISIONS	MODEL	AM1600		DRAWN BY
No	DATE	BY	REFERENCE	DATE
1			POWER SUPPLY	6/7/92
2			DESCRIPTION	SCALE
3			240 VOLT A.C.	NIL
4				