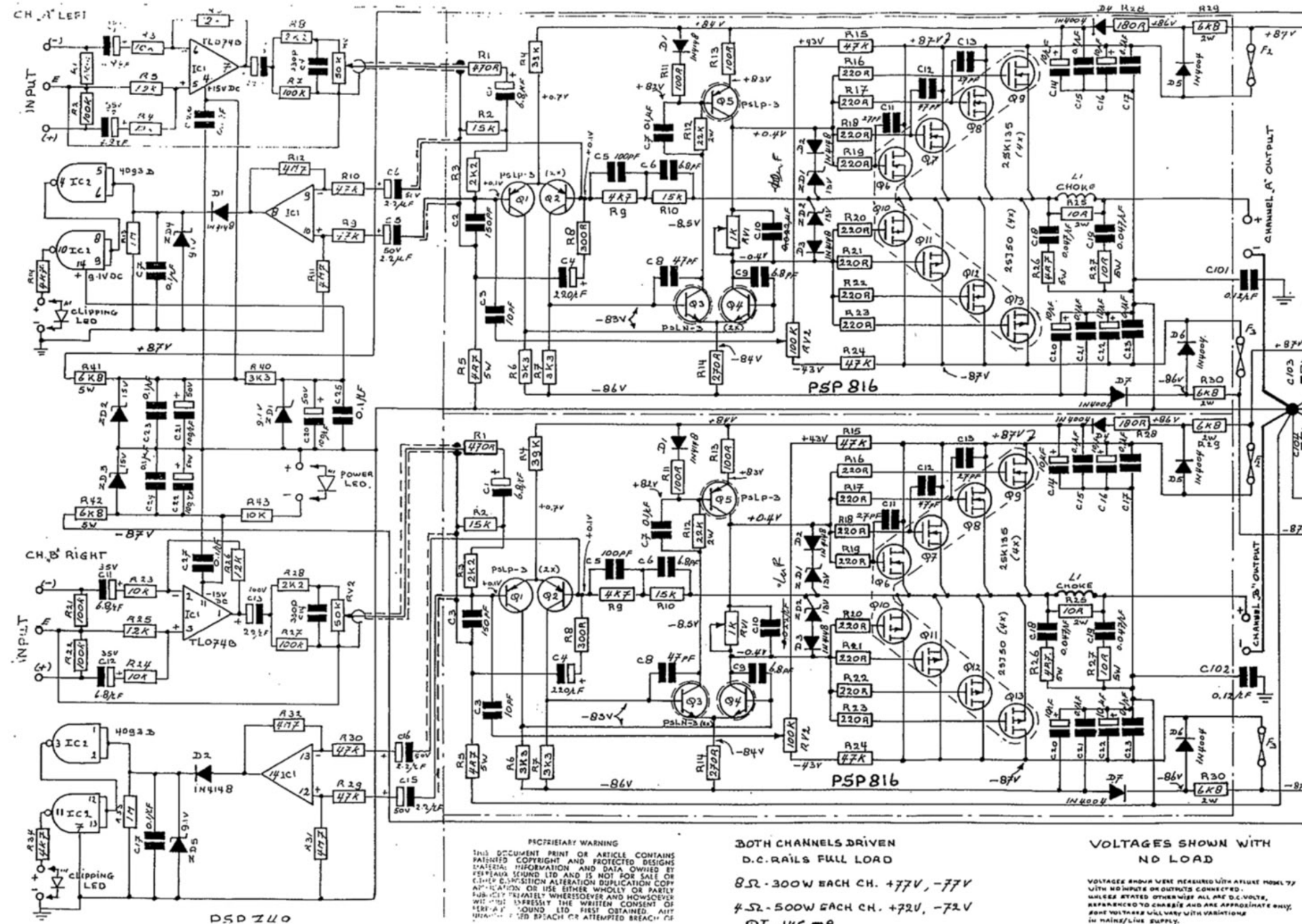


PLSN is a house coded MPSA42 and the PLSP is a MPSA92.
Also consider MJE340 & MJE350

6200 B PWR AMP
Schematic 1/1

© Perreux Industries



- PSP 749**
- | | | |
|-----------------|-----------------|------------------|
| R1 - R21 - 100K | R40 - 3K3 | C1 - C11 - 6.8µF |
| R2 - R22 - 100K | R41 - 6K8 (5W) | C2 - C12 - 6.8µF |
| R3 - R23 - 10K | R42 - 6K8 (5W) | C3 - C13 - 22µF |
| R4 - R24 - 10K | R43 - 10K | C4 - C14 - 330PF |
| R5 - R25 - 12K | | C5 - C15 - 2.2µF |
| R6 - R26 - 12K | RV1 - RV2 - 50K | C6 - C16 - 2.2µF |
| R7 - R27 - 100K | | C7 - C17 - 0.1µF |
| R8 - R28 - 2K2 | ZD1 - 9.1V | C20 - 100µF |
| R9 - R29 - 47K | ZD2 - 15V | C21 - 100µF |
| R10 - R30 - 47K | ZD3 - 15V | C22 - 100µF |
| R11 - R31 - 47K | ZD4 - 9.1V | C23 - 0.1µF |
| R12 - R32 - 47K | ZD5 - 9.1V | C24 - 0.1µF |
| R13 - R33 - 1M | | C25 - 0.1µF |
| R14 - R34 - 47K | D1 - IN4148 | C26 - 0.1µF |
| | D2 - IN4148 | C27 - 0.1µF |
- IC1 - TLO74D NOR equiv
IC2 - 4093B
- 240V TRANSFORMER CONNECTION**
- PHASE (LINE)
NEUTRAL
EARTH (GROUND)
- F1 - 5A CONT. 10A BLOW } 240V
F2 - 10A CONT. 20A BLOW
F3 - 20A BLOW

- PSP 816**
- | | | | | |
|----------------|----------------|---------------|---------------|-------------|
| R1 - 470R | R16 - 220R | C1 - 6.8µF | C16 - 10µF | Q1 - PSLP-3 |
| R2 - 15K | R17 - 220R | C2 - 150PF | C17 - 0.1µF | Q2 - PSLP-3 |
| R3 - 2K2 | R18 - 220R | C3 - 10PF | C18 - 0.047µF | Q3 - PSLN-3 |
| R4 - 39K | R19 - 220R | C4 - 220PF | C19 - 0.047µF | Q4 - PSLN-3 |
| R5 - 47K (5W) | R20 - 220R | C5 - 100PF | C20 - 10µF | Q5 - PSLP-3 |
| R6 - 3K3 | R21 - 220R | C6 - 6.8PF | C21 - 0.1µF | Q6 - 25K135 |
| R7 - 3K3 | R22 - 220R | C7 - 0.1µF | C22 - 10µF | Q7 - 25K135 |
| R8 - 300R | R23 - 220R | C8 - 47PF | C23 - 0.1µF | Q8 - 25K135 |
| R9 - 47K | R24 - 47K | C9 - 6.8PF | | Q9 - 25K135 |
| R10 - 15K | R25 - 10R (2W) | C10 - 0.022µF | | Q10 - 25J50 |
| R11 - 100R | R26 - 47K (5W) | C11 - 27PF | | Q11 - 25J50 |
| R12 - 12K (2W) | R27 - 10R (5W) | C12 - 47PF | | Q12 - 25J50 |
| R13 - 100R | R28 - 180R | C13 - 27PF | | Q13 - 25J50 |
| R14 - 270R | R29 - 6K8 (2W) | C14 - 10µF | | |
| R15 - 47K | R30 - 6K8 (2W) | C15 - 0.1µF | | |
- LI - CHTD115
- PSP 816**
- | | |
|------------|-------------|
| RV1 - 1K | D1 - IN4148 |
| RV2 - 100K | D2 - IN4148 |
| ZD1 - 13V | D3 - IN4148 |
| ZD2 - 13V | D4 - IN4004 |
| | D5 - IN4004 |
| | D6 - IN4004 |
| | D7 - IN4004 |

PROPRIETARY WARNING
THIS DOCUMENT PRINT OR ARTICLE CONTAINS
PATENTED COPYRIGHT AND PROTECTED DESIGNS
INFORMATION AND DATA OWNED BY
PERREAUX INDUSTRIES LTD AND IS NOT FOR SALE OR
REPRODUCTION OR ALTERATION DUPLICATION COPY
OR REPRODUCTION OR USE EITHER WHOLLY OR PARTLY
WITHOUT THE WRITTEN CONSENT OF
PERREAUX INDUSTRIES LTD. FIRST OBTAINED BY
PERREAUX INDUSTRIES LTD. FIRST OBTAINED BY
PERREAUX INDUSTRIES LTD. FIRST OBTAINED BY

BOTH CHANNELS DRIVEN
D.C. RAILS FULL LOAD
8Ω - 300W EACH CH. +77V, -77V
4Ω - 500W EACH CH. +72V, -72V
O.I. 145 mA

VOLTAGES SHOWN WITH
NO LOAD
VOLTAGES SHOWN WERE MEASURED WITH A FLUX MODEL BY
WITH NO INPUT OR OUTPUTS CONNECTED.
UNLESS STATED OTHERWISE ALL ARE D.C. VOLTS,
REFERENCES TO CHASSIS AND ARE APPROXIMATE ONLY.
NOTE VOLTAGE WILL VARY WITH VARIATIONS
IN MAINS/LINE SUPPLY.

6200B
CIRCUIT DIAGRAM.
L/1155
24/85